

MPEG Micro-4™

Rugged 4-Channel Video Encoder

Small in footprint
Big in performance

- 4 asynchronous live video inputs
- Supports NTSC/PAL analog video sources
- Small footprint, industrial design with -40°C to 85°C operating temperature
- Advanced network protocols for efficient network transmission and integration
- 1 Year Warranty



The *MPEG Micro-4™* provides a low power, high performance solution for capturing and compressing up to 4 channels of concurrent video and audio inputs. These streams are independent and can subsequently be played back as totally independent MPEG4 streams. Provides up to 120 FPS at CIF (325 x 240) resolution and is supported by a suite of drivers for Linux OS.

Applications:

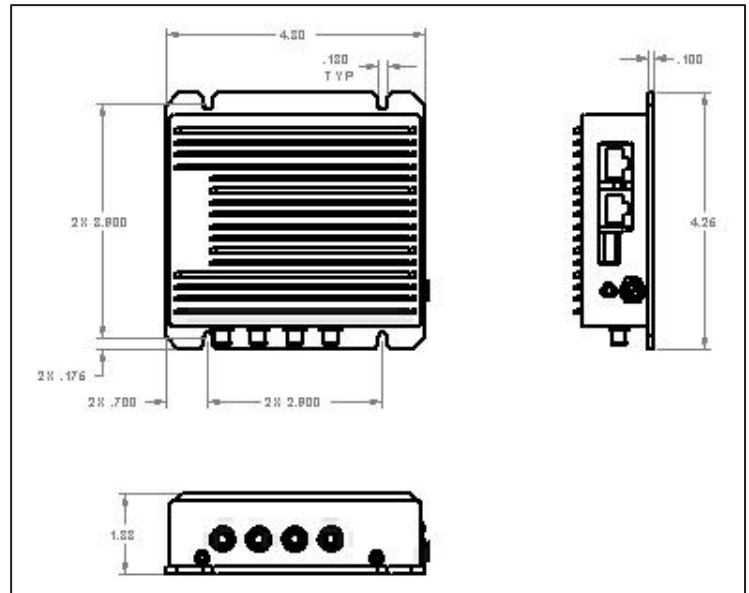
- Solid-state Video Recording
- Vehicle-based Video Codec
- Internet Video Streaming
- Remote Video Surveillance
- Multi-Camera Security and Recording
- Traffic Monitoring and Control
- Video Acquisition and Analysis
- Video Archiving

AP Labs
Your Systems Partner from Concept to Production

Specifications

VIDEO:

Video Compression:	MPEG4
Video Inputs:	4 SMA (75 Ohm)
Formats:	NTSC/PAL Auto Sensing
Video Input Adjustments:	Contrast (0-200% of original) Saturation (0-200% of original) Hue (-180 to +180) Brightness (0-255 steps)
Audio Input:	Voice quality Provides audio/video synchronization Supports ADPCM PCM at 32Kbits/sec per channel 4Kbps muLaw
Video Encoding:	Real-time MPEG4 Video Encoding 1 CH NTSC full D1 (720 x 480) at 30 fps 4 CH NTSC CIF (352 x 240) at 120 fps 1 CH PAL full D1 (720 x 576) at 25fps 4 CH PAL CIF (352 x 288) at 100 fps 4 CH PAL/NTSC full D1 reduced frame rates Supports I,P and B Frame Compression Supports Variable Bit Rate (VBR) Supports Constant Bit Rate (CBR) Supports Hybrid Bit Rate (HBR)
Video Decoding/Playback:	Real-time MPEG4 Video Decoding ISO/IEC 14496-2 MPE4 ASP at Level 5 Playback to Composite PAL/NTSC output
Motion Detection:	1350 (NTSC or 1620 (PAL) detection blocks Masking of areas not required for motion detection Adjustable sensitivity
Text/Graphics Overlay:	Overlay of computer-generated bitmaps on live video Overlay of True type front text 720 x 576 bit map overlay buffer 64 colors per overlay pixel Programmable overlay/Blend attribute per pixel Programmable 25%, 50%, 75% Alpha bending



MPEG Micro-4™ Outline Dimensions

SYSTEM:

Processor:	Intel IXP435 XScale operating at 667MHz 128Mbytes of DDRII-400 SDRAM 32Mbytes of Flash
Peripherals:	Two 10/100 Base-TX Ethernet ports with IEC-6100-4 ESD and EFT protection USB 2.0 High Speed Host
Power:	8-48Vdc (Typical Operating Power ~8W) Passive Power-Over-Ethernet

ENVIRONMENTAL:

Operating Parameters:	Operating Temperature: -40 to 85oC Humidity: Up to 5% to 90% RH (non-condensing)
-----------------------	---

SOFTWARE:

Operating System:	Linux 2.6 Support
-------------------	-------------------

OPTIONS:

GPS and wireless options available

ORDERING INFO:

AP Labs Part Number:	5150650-1
----------------------	-----------